

User Instruction No. 621

Vacuum Hose Reel

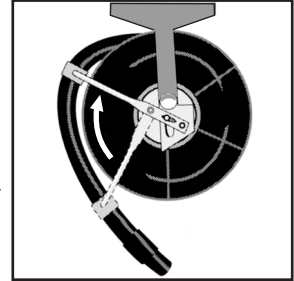
Ceiling or wall mounting

The reel is intended for **wall mounting at delivery**.

If the reel should be mounted in the ceiling or on a swing arm - do as follows:

Loosen the bolt on the guide arm and turn it 90° in the recoil direction of the hose.

A peg marks the exact fixation position. Tighten the bolt on the guide arm.



Pivoting bracket

The reel is supplied with a pivoting bracket.

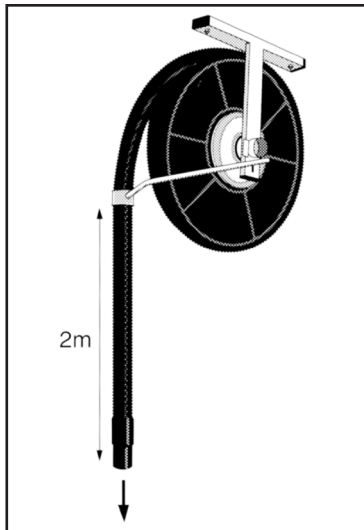
If the pivoting function is not required, remove the nylon gaskets in the hinges.

Thereafter tighten the bolts hard.

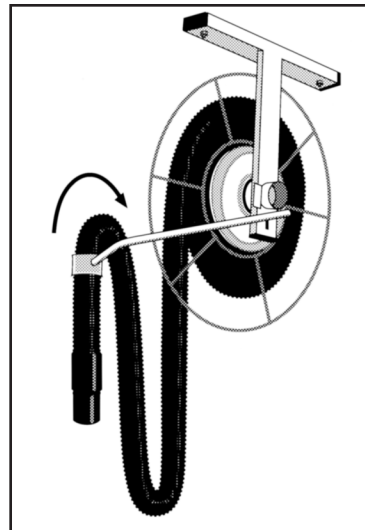
Adjustment of spring power

The Hose Reel has a soft recoiling power. It is therefore easy to pull out the hose.

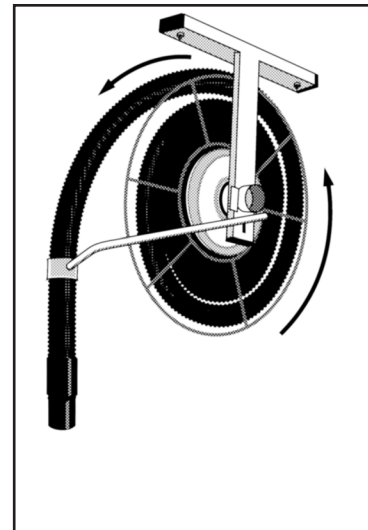
If you wish the hose to be recoiled with more power - do as follows



Pull out approx. 2 m hose and let the latch lock the reel.



Pull the hose backwards through the hose guide and...



... put the hose on the drum

If even more spring power is required, repeat the procedure once more.

NB! If you tension the spring too many turns the spring may go to the bottom.

The whole hose length can then not be pulled out. There will also be a risk of breaking the spring.

To decrease the spring power - do the reverse according to above.

The hose stop can easily be moved on the hose for desired height of the hose end.

Poor suction

- If the suction becomes poor, objects may have clogged the hose.

- Long objects may clog the hose bend on the side of the reel. Disconnect the hose and remove the objects.

- If objects have clogged the hose somewhere else, dismount the hose from the drum and connect the opposite hose end until the hose gets clean.

Spare Parts

Model No. of Hose Reel	601 320/390 9 m, ø 32	601 380/388 8 m, ø 38	601 810 10 m, ø 38	601 560 6 m, ø 50	601 510 10 m, ø 50
1. Hose guide	602 010	602 011	602 011	602 012	602 013
2. Arm with hose guide	602 020	602 021	602 024	602 022	602 023
3. Damper	602 030	602 030	602 030	602 031	602 031
4. Latch with spring	602 040	602 040	602 040	602 041	602 041
5. Micro switch	602 050	602 050	602 050	602 050	602 050
6. Spring unit	602 060	602 060	602 063	602 061	602 062
7. Drum	602 070	602 070	602 073	602 071	602 072
8. Locking ring	602 080	602 080	602 080	602 081	602 081
9. Hose connection	602 090	602 091	602 091	602 092	602 092
10. Pivoting bracket	602 100	602 100	602 100	602 100	602 100
11. Hose stop	602 110	602 111	602 111	602 111	602 111
12. Hose coupling	602 193	602 192	602 192	602 191	602 191

